

APPLICATION

QIC cleats are used in conjunction with many of the QIC range of suspended ceiling trims as a means of ensuring tight and perfectly aligned joints between runs of straight trims, and at corners and junctions. Cleats are designed to be a pressure fit inside the trim and the cleat can be further activated by using the pre-formed tabs.

PRODUCT INFORMATION

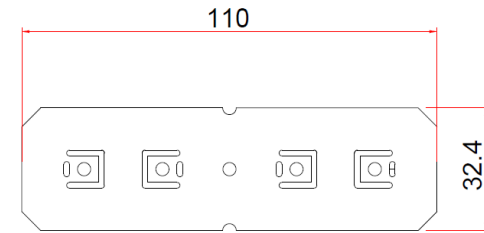
Supplied as packs of 25 in straight and corner variants. Manufactured from Zintec steel. Supplied in mill finish only. Cleats are supplied without the need for any fixings

PACKING

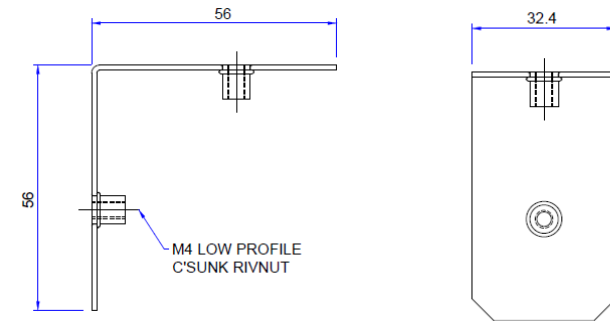
Supplied in packs of 25. Install of T grid connector as below.



Straight Cleat



M4 90 Cleat



T Grid Connector Cleat

