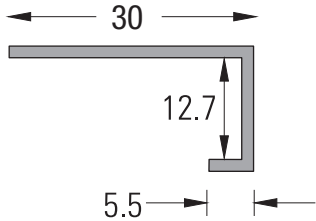
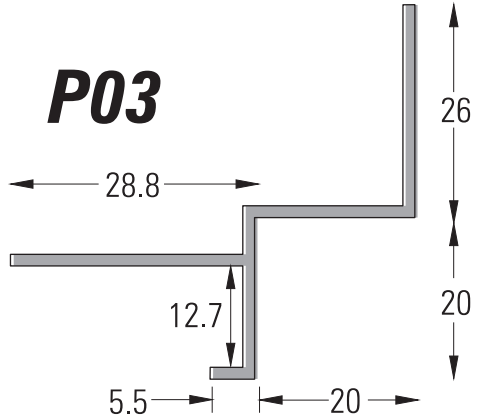


Dry Lining - TYPE P

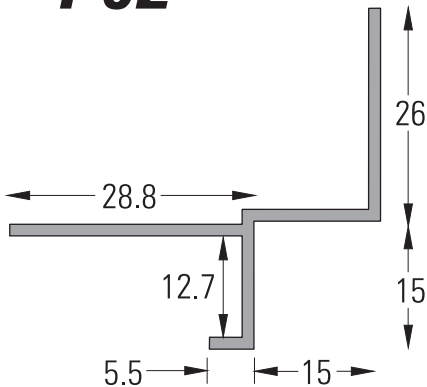
P01



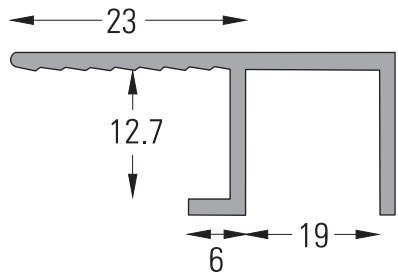
P03



P02



P04



When curved, some of the above sections may be fabricated from other components. Please speak to the sales office for details. Other dimensions available to special order.