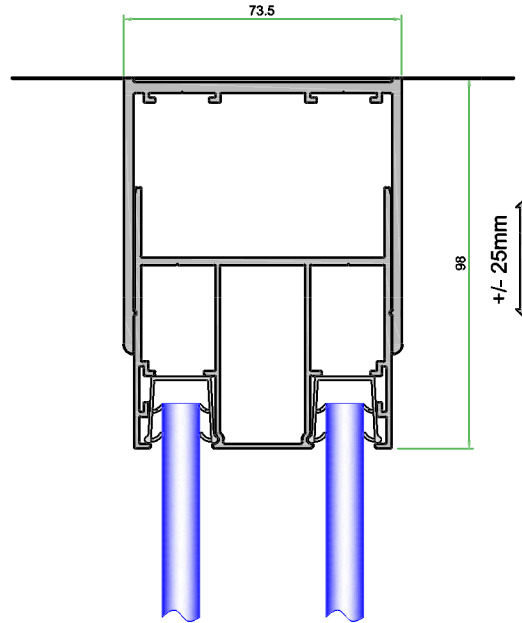
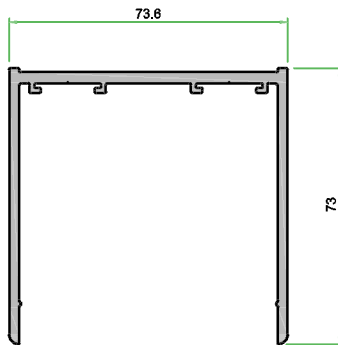


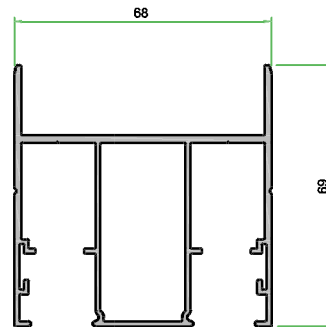
SYSTEM: EVOLUTION SYSTEM
ITEM: DGDH1 & DGDH2
DESC: DG DEFLECTION HEAD



INSTALLATION DETAIL Scale: 1:1



DGDH1 PROFILE Scale: 1:2



DGDH2 PROFILE Scale: 1:2