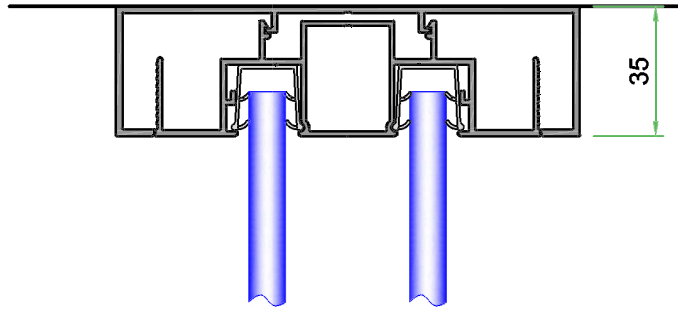
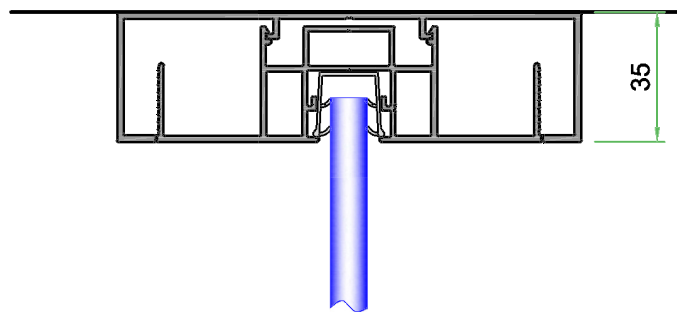


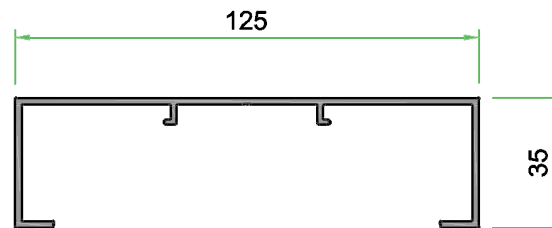
**SYSTEM: EVOLUTION SYSTEM**  
**ITEM: DWRA/HT, DWRA/DG/C, DWRA/SG/C**  
**DESC: GLAZED HEAD TRACK**



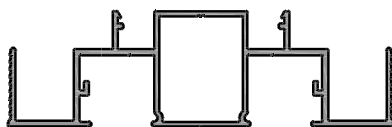
**DOUBLE GLAZED INSTALLATION DETAIL** Scale: 2:1



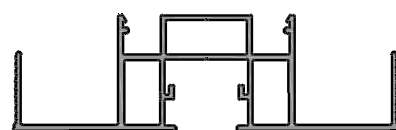
**SINGLE GLAZED INSTALLATION DETAIL** Scale: 2:1



**DWRA/HT PROFILE** Scale: 2:1



**DWRA/DG/C PROFILE** Scale: 1:2



**DWRA/SG/C PROFILE** Scale: 1:2