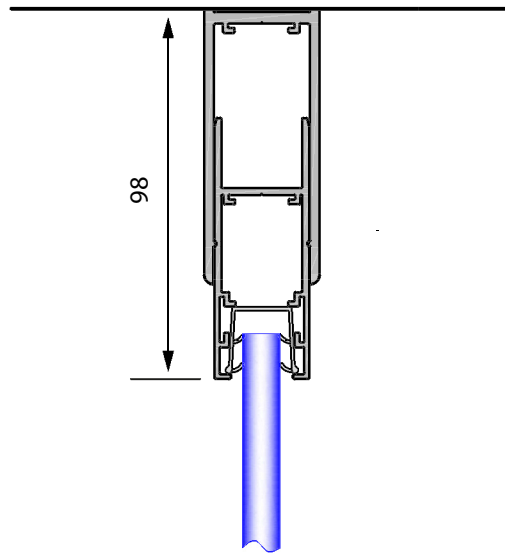
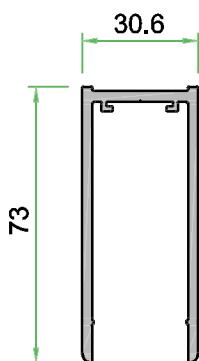


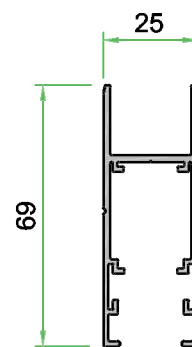
**SYSTEM: EVOLUTION SYSTEM**  
**ITEM: SGD H1 & SGD H2**  
**DESC: SG DEFLECTION HEAD**



**INSTALLATION DETAIL** Scale: 1:2



**SGDH1 PROFILE** Scale: 1:2



**SGDH2 PROFILE** Scale: 1:2