

APPLICATION

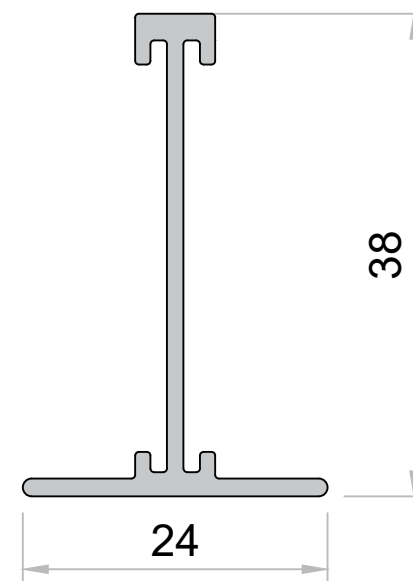
Type T trims are used to create a supporting square, rectangular or linear matrix for use with metal, mineral fibre, g.r.g or plasterboard ceiling tile systems. When used in conjunction with Wedgelock cleats and stainless steel fixings these trims can safely be applied to non-magnetic environments.

PRODUCT INFORMATION

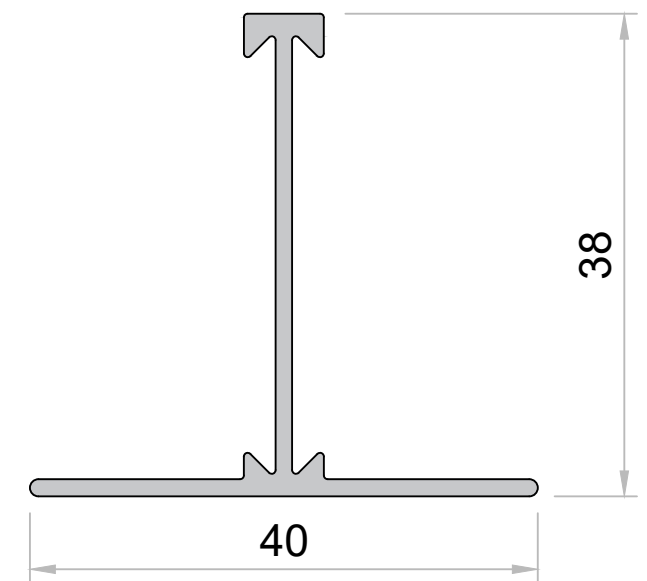
QIC Trims are supplied in 3000mm lengths, extruded from architectural grade aluminium alloy in accordance with BS EN 755-9.

Standard finishes are available in white polyester powder coating to RAL 9010, 20% gloss, or to order in a full palette of RAL colours to match and enhance any interior scheme.

Non-standard lengths, custom reveal sizes, factory curving, and alternative factory-applied finishes are available to special order.



T24



T04